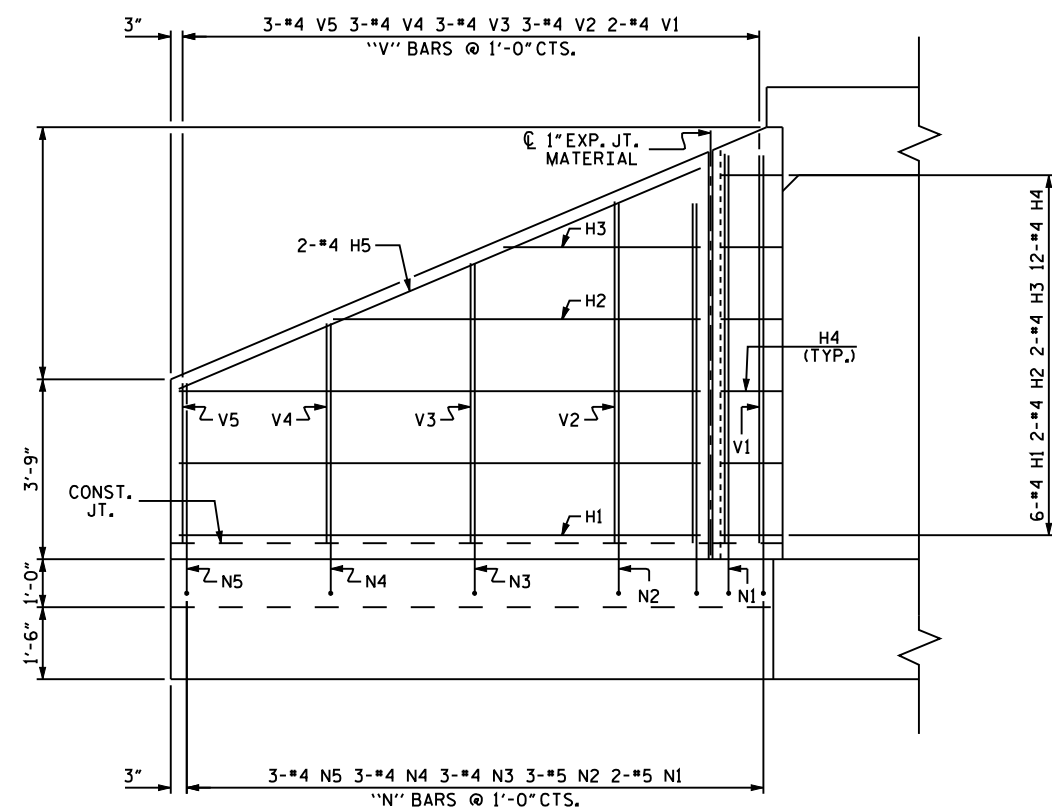
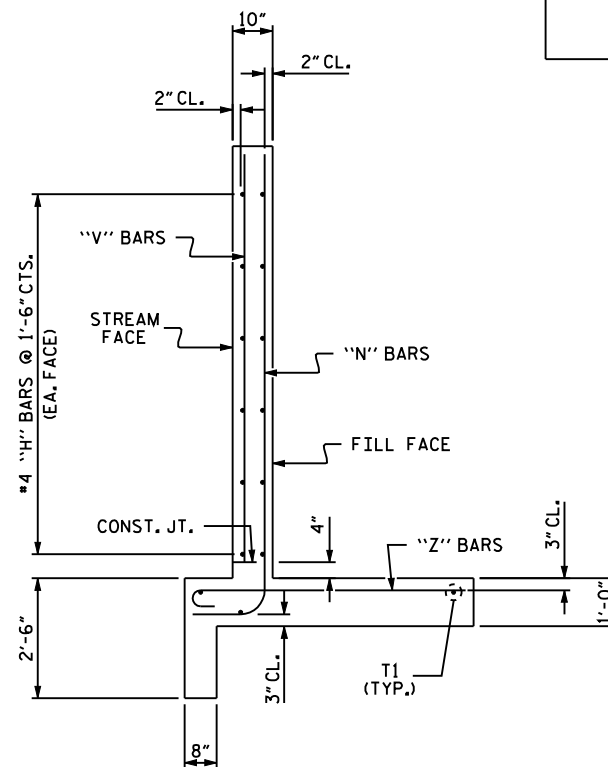


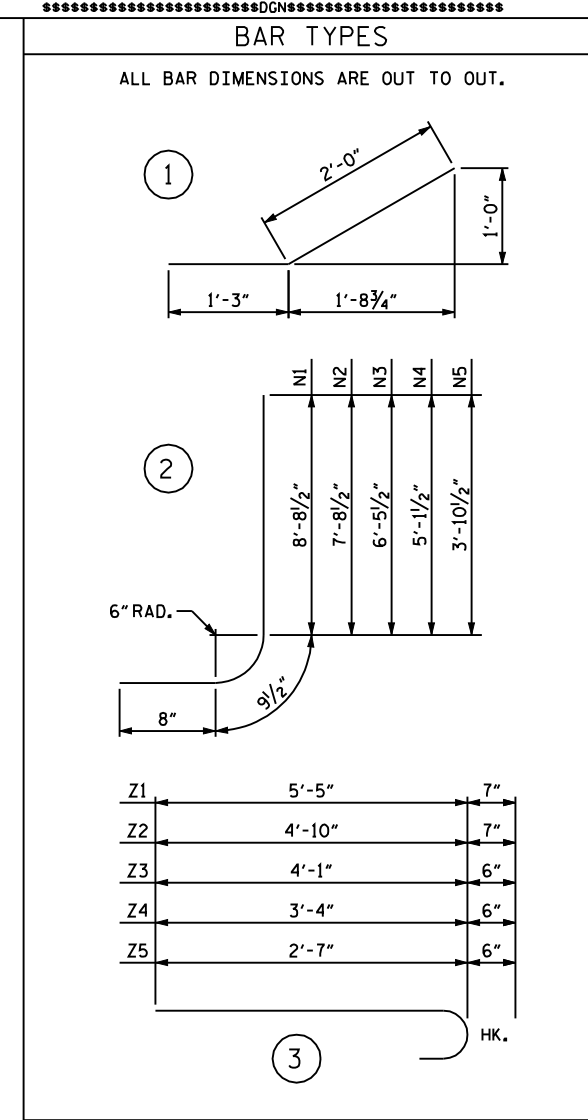
PLAN



ELEVATION



TYPICAL WING SECTION



*****SYTIME*****						*****USERNAME*****					
BAR TYPES						BILL OF MATERIAL					
BAR NO.	SIZE	TYPE	LENGTH	WEIGHT		BAR NO.	SIZE	TYPE	LENGTH	WEIGHT	
H1	24	#4	STR	10'-10"	174	N1	8	#5	2	10'-2"	85
H2	8	#4	STR	7'-8"	41	N2	12	#5	2	9'-2"	115
H3	8	#4	STR	4'-1"	22	N3	12	#4	2	7'-11"	63
H4	48	#4	1	3'-3"	104	N4	12	#4	2	6'-7"	53
H5	8	#4	STR	11'-9"	63	N5	12	#4	2	5'-4"	43
						S1	12	#6	STR	6'-0"	108
						T1	12	#5	STR	12'-9"	160
						V1	8	#4	STR	8'-1"	43
						V2	12	#4	STR	7'-1"	57
						V3	12	#4	STR	5'-10"	47
						V4	12	#4	STR	4'-7"	37
						V5	12	#4	STR	3'-4"	27
						Z1	8	#5	3	6'-0"	50
						Z2	12	#5	3	5'-5"	68
						Z3	12	#4	3	4'-7"	37
						Z4	12	#4	3	3'-10"	31
						Z5	12	#4	3	3'-1"	25
REINFORCING STEEL FOR 4 WINGS						1453 LBS					
CLASS A CONCRETE						21.4 CY					
4 WINGS						CY					
2 HEADWALLS						CY					
2 END CURTAIN WALLS						CY					
TOTAL						CY					

ASSEMBLED BY :
CHECKED BY :
DATE :
DATE :
DRAWN BY : CCJ 10/99
CHECKED BY : RWW 03/00

PROJECT NO. _____
COUNTY _____
STATION: _____

STATE OF NORTH CAROLINA
DEPARTMENT OF TRANSPORTATION
RALEIGH
STANDARD WINGS
FOR
CONCRETE BOX CULVERT
H = 8'-0" SLOPE = 2:1
90° SKEW

REVISIONS						SHEET NO.
NO.	BY:	DATE:	NO.	BY:	DATE:	
1			3			TOTAL SHEETS
2			4			

STD. NO. CW9008